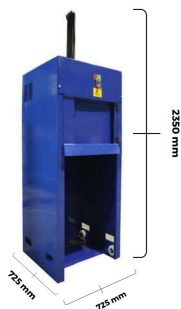




TONNA BIN PRESS 240L - 2 TONS PRESSING FORCE

- **TONNA 240L Bin Press for waste compaction**
- **Compact cardboard, plastic, and soft materials**
- **Efficient 1.5kW motor with quick cycle**
- **Noise level of 72 decibels**
- **Durable design with 1-year warranty**
- **Easy-to-use controls for safe operation**
- Suitable for small to medium businesses
- **Space-saving dimensions: 780mm x 780mm**
- Ideal for waste management and recycling
- **Enhance efficiency and reduce disposal costs**
- **Bag insert dimensions: 860 x 490 x 490 mm**
- **Bag insert weight: 30kg** (depending on the material used)
- **Fast delivery**



- **TONNA 240L Bin Press for waste compaction**

- **Compact cardboard, plastic, and soft materials**
- **Efficient 1.5kW motor with quick cycle**
- **Noise level of 72 decibels**
- Durable design with **1-year warranty**
- **Easy-to-use controls for safe operation**
- Suitable for small to medium businesses
- **Space-saving dimensions: 780mm x 780mm**
- Ideal for waste management and recycling
- **Enhance efficiency and reduce disposal costs**
- **Bag insert dimensions: 860 x 490 x 490 mm**
- **Bag insert weight: 30kg** (depending on the material used)
- **Fast delivery**

TONNA BIN PRESS 240L WITH 2 TONS PRESSING FORCE

The **TONNA bin press 240L with 2 tons pressing force** is a powerful and efficient waste management solution designed to help businesses and organizations reduce their waste volume and disposal costs. This **bin press is specifically designed to work with 240-liter bins**, making it an ideal choice for businesses that generate a large amount of waste on a regular basis.

One of the key features of the TONNA bin press is its **compact and space-saving design**. The bin press is designed to take up very little floor space. This makes it an ideal choice for businesses that have limited space for waste management equipment.

The TONNA bin press is also incredibly easy to use. To operate the bin press, simply open the 240-liter bin and place it on the platform of the bin press, with the lid facing outwards. Adjust the arms to suit the bin width, and then press and hold the green "ON" button while holding the lever in the "DOWN" position. The bin press will then compress the material contained within the bin, reducing its volume by up to 80%.

Once the bin is full, simply press and hold the green "ON" button while holding the lever in the "UP" position to return the compaction head to its upper position. The bin press is then ready to be used again.

The **TONNA bin press is also incredibly powerful, with a pressing force of up to 2 tonnes**. This means that it can easily handle even the toughest waste materials, including **cardboard, plastic, paper, film, etc.** The bin press is also incredibly quiet, with a noise level of just 72 decibels, making it an ideal choice for businesses that operate in noise-sensitive environments.

In addition to its powerful performance and ease of use, the **TONNA bin press is incredibly durable and long-lasting**. The **bin press is made from high-quality materials and is designed to withstand even the toughest working conditions**. It also requires very little maintenance, which means that it is a **cost-effective and low-maintenance waste management solution**.

Overall, the TONNA bin press 240L is an excellent choice for businesses and organizations that are looking for a powerful, efficient, and cost-effective waste management solution. With its compact design, powerful performance, and ease of use, the TONNA bin press is sure to help businesses reduce their waste volume and disposal costs, while also improving their overall waste management efficiency.

TONNA BIN PRESS 240L SPECS

Specification	
Machine Model	TONNA 240L Bin Press
Height	2360 mm
Width	780 mm
Depth	780 mm
Weight	Up to 2 tonne
Power Supply	Single Phase 220-240V
Motor	1.5kW
Pressing Force	Up to 2 ton
Noise Level	72 decibels
Cycle Time	20 seconds
Oil Requirement	14 litres of Mobile DTE24 or equivalent
Warranty	1 year
Suitable Materials	Cardboard, Paper, Plastic, Film, Foam, Soft Materials, Food waste
Not Suitable for Materials	Pressurized containers, Cans, Metal, Wood, Glass, Solid Materials

TONNA BIN PRESS 240L DIMENSIONS

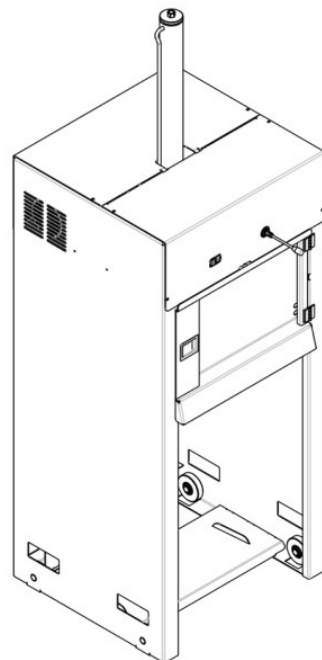
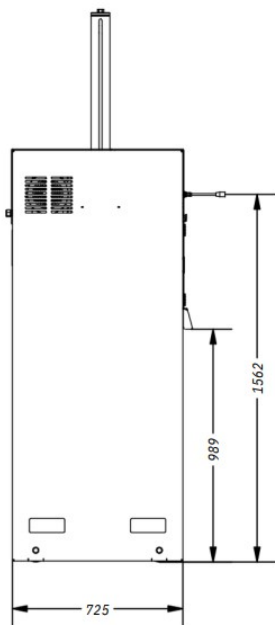
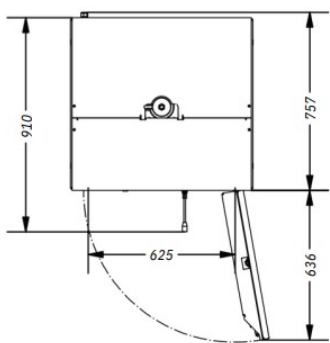
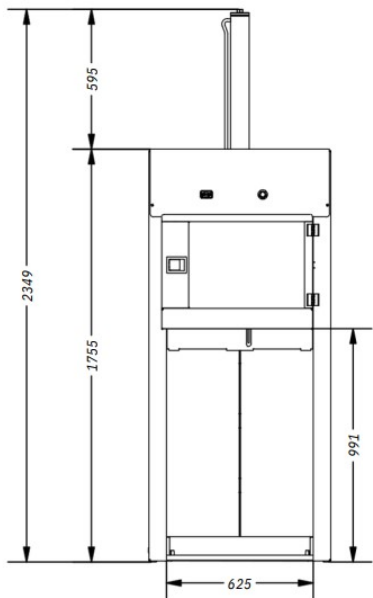
TONNA bin press 240L machine dimensions:

Height: 2360 mm
Width: 780 mm
Depth: 780 mm
Weight: 234 kg

Bag Insert dimensions:

Height: 860 mm
Width: 490 mm
Depth: 490 mm
Weight: 30 kg (depending on the material used)

TONNA BIN PRESS 240L FLOOR PLAN





TONNA BIN PRESS 240L ADVANTAGES

The TONNA bin press 240L offers several advantages for businesses and organizations that are looking for an efficient and cost-effective waste management solution. Some of the key advantages of the TONNA bin press include:

1. **Reduced waste volume:** The TONNA bin press is designed to reduce waste volume by up to 80%. This means that businesses can significantly reduce their waste disposal costs, as they will need to dispose of less waste overall.
2. **Versatility:** The TONNA bin press is designed to work with a wide range of waste materials, including cardboard, paper, plastic, foam soft materials, and food waste. This makes it a versatile and flexible waste management solution.
3. **Space-saving design:** The TONNA bin press is designed to be mounted on a wall or placed on a stand, which means that it takes up very little floor space. This makes it an ideal choice for businesses that have limited space for waste management equipment.
4. **Easy to use:** The TONNA bin press is incredibly simple to operate, with clear instructions provided in the operator manual. This means that businesses can quickly and easily train their staff to use the bin press, reducing the need for additional training or support.
5. **Safety:** The TONNA bin press is designed with safety in mind, with a range of safety features built in to ensure that users are protected at all times. For example, the bin press is equipped with safety guards to prevent accidental contact with the compaction head, and an emergency stop button to quickly shut down the machine in the event of an emergency.
6. **Low maintenance:** The TONNA bin press requires very little maintenance, which means that it is a cost-effective and low-maintenance waste management solution.
7. **Durability:** The TONNA bin press is made from high-quality materials and is designed to withstand even the toughest working conditions. This means that it is a durable and long-lasting waste management solution.
8. **Efficient:** The TONNA bin press is designed to compress waste materials quickly and efficiently, which means that businesses can manage their waste streams more effectively. This can help to reduce the amount of time and resources that businesses need to spend on waste management, freeing up time and resources for other important tasks.

TONNA BIN PRESS 240L MAIN FEATURES

The TONNA bin press 240L has several key features that make it an efficient and effective waste management solution for businesses and organizations. Some of the main features of the TONNA bin press include:

1. **Pressing force:** The TONNA bin press has a pressing force of up to 2 tonnes, which means that it can easily handle even the toughest waste materials, including cardboard, plastic, and metal.
2. **Bin size:** The TONNA bin press is designed to work with 240-liter bins, making it an ideal choice for businesses that generate a large amount of waste on a regular basis.
3. **Safety features:** The TONNA bin press is designed with safety in mind, with a range of safety features built in to ensure that users are protected at all times. For example, the bin press is equipped with safety guards to prevent accidental contact with the compaction head, and an emergency stop button to quickly shut down the machine in the event of an emergency.
4. **Low noise level:** The TONNA bin press operates at just 72 decibels, which means that it is incredibly quiet compared to other waste management solutions. This makes it an ideal choice for businesses that operate in noise-sensitive environments.

HOW TO USE TONNA BIN PRESS 240L

To use the TONNA bin press, follow these steps:

1. **Read the operator manual:** Before using the bin press, it is important to read the operator manual carefully. The manual contains important safety information and instructions on how to operate the bin press correctly.
2. **Prepare the bin:** Open the 240-liter bin and place it on the platform of the bin press, with the lid facing outwards.
3. **Adjust the arms:** Adjust the arms to suit the bin width. This will ensure that the bin is held securely in place during the compaction process.
4. **Start the bin press:** To start the bin press, press and hold the green "ON" button while holding the lever in the "DOWN" position. The bin press will then compress the material contained within the bin, reducing its volume by up to 80%.
5. **Return the compaction head:** To return the compaction head to the upper position, press and hold the green "ON" button while holding the lever in the "UP" position.
6. **Repeat the process:** Repeat this process of filling and compacting material until the bin is full.
7. **Reset the machine:** If the machine fails to start, pressing the "OFF" button will reset the machine.

Remember to always follow the safety instructions provided in the operator manual, and to wear appropriate personal protective equipment (PPE) when operating the bin press.

BUY BIN PRESS TONNA 240L OR GET AN OFFER

TONNA bin press 240L is a versatile and efficient waste management solution designed to reduce waste volume by up to 80%, saving your business time and money. With its space-saving design, easy-to-use operation, and range of safety features, the TONNA bin press is the perfect choice for businesses that generate a large amount of waste on a regular basis. Click the "GET OFFER" button to get an offer or purchase your TONNA bin press machine today on our website and start enjoying the benefits of efficient waste management.

